



ES9000 Series Pre-Load Strike

General Description

The ES9000 has been designed to suit the harshest commercial environments, and has the unique feature of the ability to operate with up to 25kg of pre-load pressure on the keeper. Pre-load is a common condition that caused by pulling on a door before it unlocks, the weight of warped or drooping doors, seals on fire doors, or by differential air pressure created when heating and cooling systems are in use.

Standard features include multi voltage 10 - 30Vdc and field changeable settings from fail safe to fail secure.

Built to last, this is a premium locking solution that has been tested in excess of 2 million cycles and boasts unique features like no other available on the market today.

Key Features

- Operates under pre load up to 25kg
- Easy field selectable fail safe/fail secure
- Multi voltage 10-30Vdc
- 1300kg holding force
- 2.5 million cycles endurance rating
- Latch keeper is significantly quieter in operation
- Weather resistant (IP54)
- Built in protection diode
- Mounting tabs as standard
- Non handed
- **TRICARE** 5 Year Warranty

Applications

- High traffic areas
- Doors subjected to side load (pre load)
- Fire rated door sets (Australian Specific)
- Open in/open out doors
- Suitable for use with all access control systems

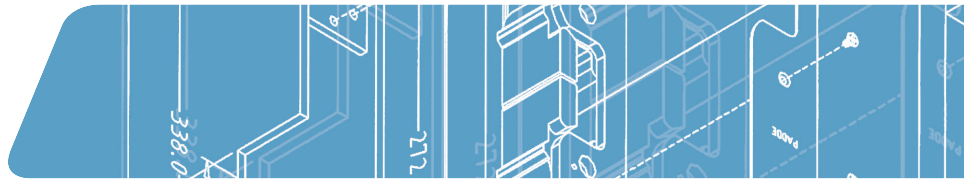


Standards and Compliance

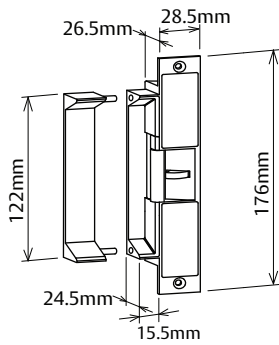
S3 (Security) Australian Lock Standard (AS4145.2.1993)

D3 (Durability) Australian Lock Standard (AS4145.2.1993)

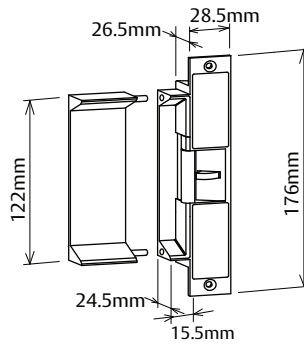
CE CE Approved



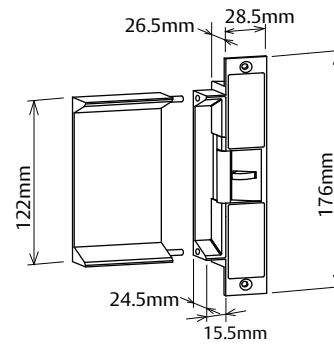
ES9000 Series Pre-Load Strike



ES9000 with 25mm Extension Lip



ES900 with 50mm Extension Lip



ES9000 with 75mm Extension Lip

ES9000 Pre-Load Strike Technical Information

Voltage	10 – 30Vdc
Current	250mA @12Vdc – 130mA @24Vdc
Solenoids	Solenoid rated for continuous use.
Electrical protection	Polarity and back EMF protected
Monitoring	Solenoid Monitor - 1 amp NO/NC microswitch Door / Latch - 1 amp NO/NC microswitch
Holding Force	1300kg static strength rating
Endurance	1,200,000 cycles endurance rating @ 25kg pre-load 2,500,000 cycles general durability without pre-load conditions
Latching	Suitable for 15mm latch with 3mm door gap
Environment	Operational temperature range -20°C to +60°C
Body	Solid Stainless Steel Construction
Keeper	Stainless Steel

Specification Statement

The electric strike should be fully monitored and have independent door / latch and solenoid monitor switches. Holding force for the strike should be not less than 1300kg.

Where Power to Lock and Power to Open functions may be required in the same building, a single electric strike should be interchangeable from either fail safe or fail secure from the rear of the strike.

The electric strike should not consume current greater than 250mA @ 12Vdc and have a solenoid rated for continuous use. A fire rating not less than 4 hours is required where applicable. The strike must be capable of operating with up to 25kg of pre-load pressure applied to the keeper, be tested to 2.5 million operations and carry a minimum warranty of 5 years.

Ordering Information

SKU	Short Code	Description
119001-000	TRIMEC ES9000 PTO/PTL	P/Load 0-30V PTO/PTL
119001-010	TRIMEC ES9000 PTO/PTL - NO LIP	P/Load 0-30V PTO/PTL no lip
119001-020	TRIMEC ES9000 PTO/PTL - 8MM EXT LIP	P/Load 0-30V PTO/PTL 8mm ext lip
119001-060	TRIMEC ES9000 PTO/PTL - EXT LIP HOLES	P/Load 0-30V PTO/PTL lip extension holes
Extension Lips		
220200-505	TRIMEC ES2100 25MM Extension lip	
220200-506	TRIMEC ES2100 50MM Extension lip	